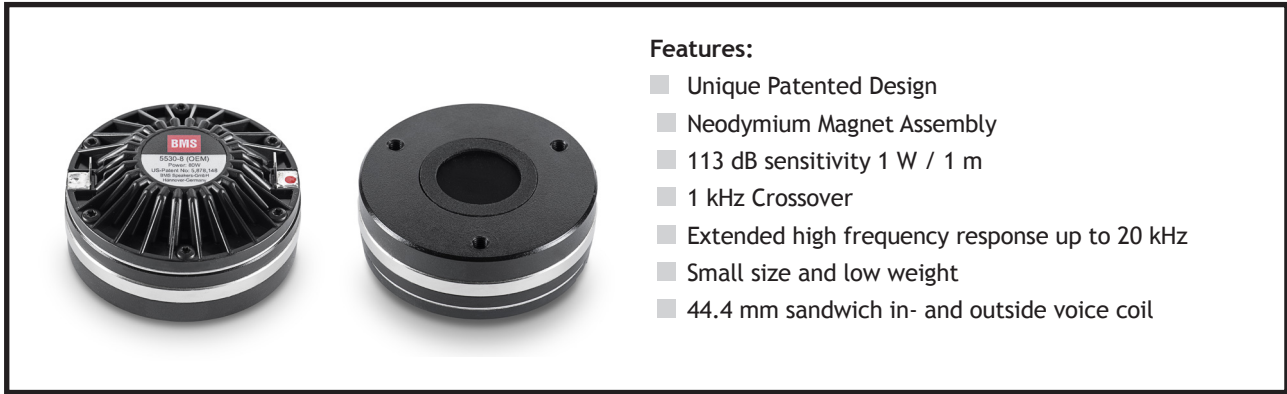


# 5530ND

1" High Frequency Compression Driver

# 1" Neo compression drivers

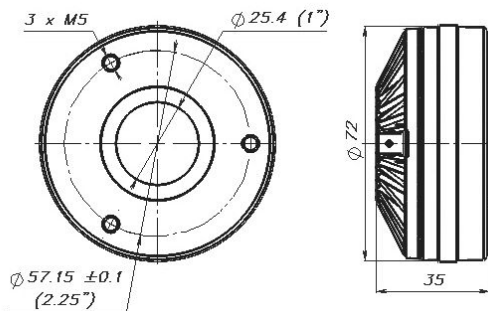


### Features:

- Unique Patented Design
- Neodymium Magnet Assembly
- 113 dB sensitivity 1 W / 1 m
- 1 kHz Crossover
- Extended high frequency response up to 20 kHz
- Small size and low weight
- 44.4 mm sandwich in- and outside voice coil

BMS 5530 ND is an ultra-compact 1" high output compression driver with unique output to size ratio.

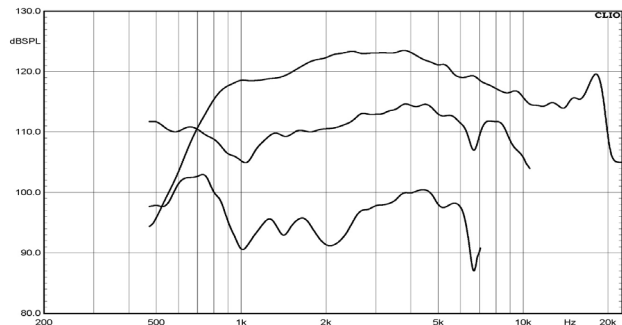
Employing all unique BMS technologies like the ultra-low intermodulation distortion ring diaphragm, very high efficiency and a 44mm sandwich voice coil in an ultra-compact format, the BMS 5530 sets a new standard in size to output ratio and provides the lowest crossover available at that size.



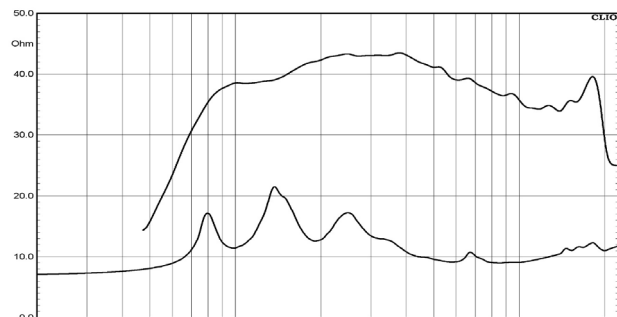
## SPECIFICATIONS

Throat diameter	1" (25.4 mm)	
Nominal impedance	8 or 16 Ohm	
Power capacity AES	W	80
Peak Power:	W	450
Sensitivity:		
CD Horn 90° x 75°, 1W/1m	dB	113
Plane wave tube, 1mW	dB	117
Max. SPL (cont./peak)	dB	132/139 at 80/450 W
Frequency range	Hz	500-20000
Recommended crossover	Hz	1000
Voice Coil Diameter	mm	1,75" (44,4 mm)
Magnet material	Neodymium	
Flux density	Tesla	2.2
Voice Coil Material	Cooper Clad Aluminum	
	(2Layers in-and outside of the VC)	
Voice coil former	Kapton	
Diaphragm material	Polyester	
Mounting information		
Overall Dimensions	mm Ø	72
Depth	mm	35
Net weight	Kg	0.673
3 x M5 holes, 120° on ø 57.15 mm ±0.1 (ø2.25")		

BMS 5530ND-8, 90°x75° horn,  
2nd + 3rd harmonic raised 10 dB, SPL 10W / 1m



BMS 5530ND-8, 90°x75° horn, Impedance



BMS 5530ND-8, in tube 1W, Impedance

