

# 8N519

Neodymium Ultra Low Distortion Low Midrange Driver

# Neodymium Series

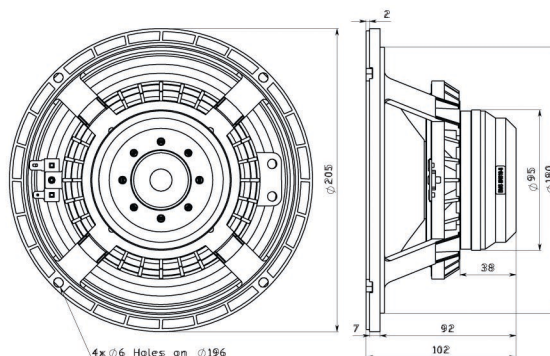


### Features:

- 94 dB sensitivity 1 W / 1 m
- 250 W Power handling
- 2" voice coil
- Double treated cone for water protection
- Neodymium magnet system
- Triple aluminum demodulating rings for ultra low distortion
- Optimal for compact 2-way systems
- Light weight carbon fibre diaphragm

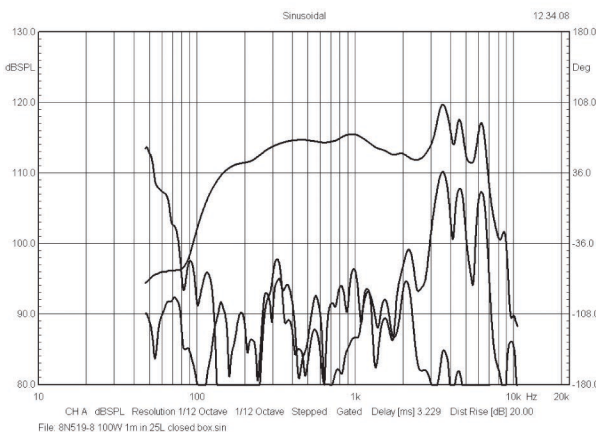
## SPECIFICATIONS

APPLICATION	Low-Middle	
Nominal Impedance	Ohm	8
Power handling AES noise	W	250
Sensitivity (1 W / 1 m)	dB	94
Frequency response	Hz	80-3000
Voice Coil Diameter	mm	52 (2")
Voice Coil Material		Cu
Voice Coil Winding Depth	mm	19
Magnet Gap Depth	mm	6,5
Basket		Cast Aluminum
Effect. Diaphragm Diameter D	mm	168



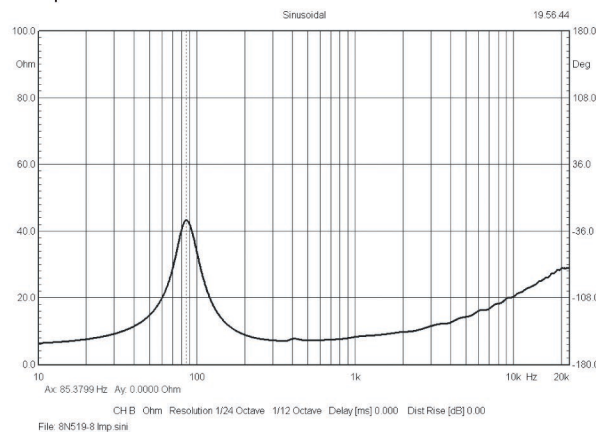
Frequency response measured 100 W (28.3 V) at 1 m in a closed enclosure of 25 liter in an anechoic chamber incl. 2nd and 3rd harmonic distortion raised 20 dB.

THIELE-SMALL PARAMETERS			
Resonance Frequency	Fs	Hz	74.9
DC Resistance	Re	Ohm	5.8
Mechanical Q Factor	Qms		4.2
Electrical Q Factor	Qes		0.41
Total Quality Factor	Qts		0.37
Equivalent Volume	Vas	L	10.9
Moving Mass	Mms	kg	0.0285
Mechanical Compliance	Cms	mm / N	0.16
BL Factor	BL	Tesla m	13.8
Effective Piston Area	Sd	m <sup>2</sup>	0.0222
Max. linear Excursion	Xmax	mm	±6.3
Voice Coil Inductance	Le1k	mH	0.36
	Le10k	mH	0.28



MOUNTING INFORMATION		
Overall diameter:	mm	205
Mounting holes diameter	mm	4x (6 x 6.5)
Bolt circle diameter	mm	196
Baffle cut-out diameter	mm	182
Overall depth	mm	102
Net weight	kg	1.95

### Impedance - 8 Ohm driver



### Recommended reflex enclosure:

9L/80 Hz, BRD=60mm/96mm long

15L/63 Hz, BRD=70mm/133mm long