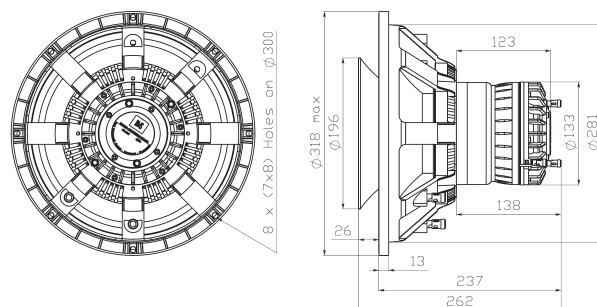


Features:

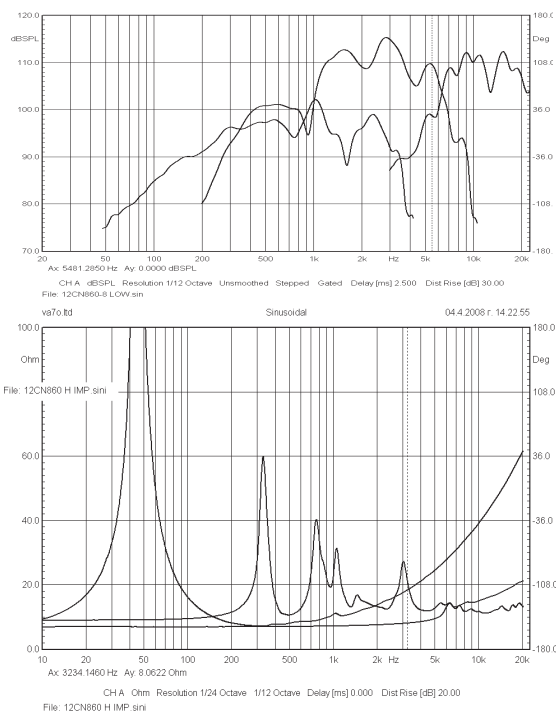
- 97 dB Sensitivity
- 800 W + 150 W + 80 W Power handling
- Single Point source providing coherent wavefront
- Conical 60° waveguide for precise directivity
- Optimal for compact 3-way systems

SPECIFICATIONS

APPLICATION		Transducer	
Nominal impedance	Ohm	8/8 or 16	
Power handling AES noise	W	800	
LOW FREQUENCY UNIT			
Sensitivity (1W/1m)	dB	97	
Frequency response	Hz	40 - 22000	
Voice coil diameter	mm	101.6	
Voice coil material		Cu	
Voice coil winding depth	mm	19	
Magnet gap depth	mm	10	
Basket		Cast Aluminum	
Effect. diaphragm diameter D	mm	239	
THIELE - SMALL PARAMETERS			
Resonance frequency	Fs	Hz	52
DC resistance	Re	Ohm	5.7
Mechanical Q factor	Qms		4.5
Electrical Q factor	Qes		0.23
Total Quality factor	Qts		0.22
Equivalent volume	Vas	L	37
Moving mass	Mms	kg	0.072
Mechanical compl.	Cms	mm/N	0.13
BL factor	BL	Tesla m	24.2
Effective piston area	Sd	m ²	0.0449
Max. linear excursion	Xmax	mm	± 4.5
SPECIFICATIONS HIGH/MIDDLE FREQUENCY			
Middle range (AES)	W	150	
Peak Power	W	1000	
High range (AES)	W	80	
Peak Power	W	320	
Sensitivity 1W/1m	dB	113	
Middle frequency range	Hz	700 -7000	
High frequency range	Hz	6000-22000	
Recommended crossover	Hz	800, 6.300	
Voice coil diameter	mm	44.4 (1.75") high 90 (3.5") middle	
Magnet material	Neodymium		
Flux density	T	2	
Voice coil material	Copper Clad Aluminum (2 Layers in-and outside of the VC)		
Voice coil former	Kapton TM		
Diaphragm material	Polyester		



Frequency response measured 1W (2.83V) at 1m in a closed enclosure of 50 litre.



MOUNTING INFORMATION		
Overall diameter	mm	318
Mounting holes diameter	mm	8 x (7 x 8)
Bolt circle diameter	mm	300
Baffle cut-out diameter	mm	284
Overall depth	mm	263
Net weight	kg	8.55